



SC002 / SC006 / SC200 Sample Cutter for Impedance Tube

Features:

- Cutting samples match with inner diameter of impedance tubes conveniently
- Modular design, can replace cutters with different diameter



Applications:

- Quantitative measurement of acoustic properties of materials

Introduction

Quantitative measurement of acoustic properties includes the normal incidence sound absorption coefficients, the acoustic impedance ratios and the transmission loss of materials is an important part in architectural acoustics and vehicle engineering. According to GB/T 18696.2, GB/J 88, ISO 10534-2, ASTM E1050-12 and ASTM E2611-17 standards, all those properties can be measured by impedance tubes, and the material for measure should be cut to several samples which match the inner diameter of the tube. Cutting material is important because the precision of the acoustic properties quantitative measurement will be affected if the diameter of multiple samples is inconsistent, or mismatch to the impedance tube.

SC002、**SC006** and **SC200** sample cutter is new developed by BSWA to helping the user of SW series impedance tube to obtain the standard samples conveniently when testing.

Where the **SC002** is a 100 mm circular cutter and sample holder, **SC006** is a 29 mm circular cutter and sample holder, and **SC200** includes the above two kinds of cutters and sample holders with bench drill, sample lifting table and shipping case.

★NOTE: The cutter is made by stainless steel and only suitable for cutting specific materials. User needs to determine whether the materials to be cut are suitable for cutters. NO RESPONSIBILITY or WARRANTY for damage caused by unsuitable materials or improper operation!

Specifications

| Type | SC200 | | |
|-----------------------|--|-----------------|-------------|
| Cutter Type | SC002 | SC006 | |
| Diameter | 100 mm | 29 mm | |
| Frequency Range | 50 Hz ~ 1.6 kHz | 500Hz ~ 6.4 kHz | |
| Power Supply | 100-240 VAC 50-60 Hz | | |
| Operating Environment | Temperature: -10 °C ~ 50 °C, Humidity: 5 % ~ 95 %RH (non-condensing) | | |
| Dimension (mm) | W400 * H700* D205 | | |
| Weight ¹ | SC200: 16 kg | SC002: 2.9 kg | SC006: 2 kg |

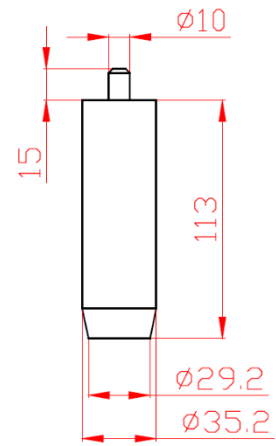
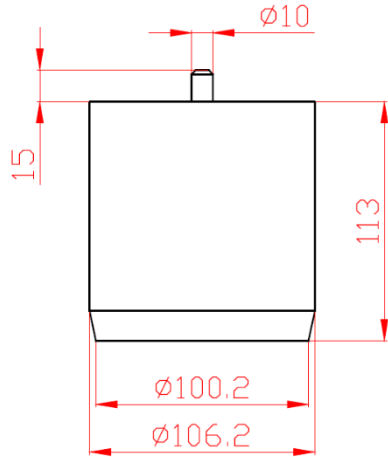
Note1: The weight of SC002 and SC006 included the circular cutter, sample plug and sample holder only. The weight of SC200 included the two type of circular cutters and sample plugs, sample holder, bench drill and scissor lift table.

Kit Including

| | |
|-------|---|
| SC002 | 100 circular cutter, 100 sample plug, sample holder |
| SC006 | 29 circular cutter, 29 sample plug, sample holder |
| SC200 | 100 circular cutter, 29 circular cutter, 100 sample plug, 29 sample plug, sample holder, bench drill and scissor lift table |



Drawings with Dimensions



Components



100 circular cutter



100 sample plug



29 circular cutter



29 sample plug

