



## SC002 / SC006 / SC200 Sample Cutter for Impedance Tube

### Features:

- Cutting samples match with inner diameter of impedance tubes conveniently
- Modular design, can replace cutters with different diameter



### Applications:

- Quantitative measurement of acoustic properties of materials

### Introduction

Quantitative measurement of acoustic properties includes the normal incidence sound absorption coefficients, the acoustic impedance ratios and the transmission loss of materials is an important part in architectural acoustics and vehicle engineering. According to GB/T 18696.2, GB/J 88, ISO 10534-2, ASTM E1050-12 and ASTM E2611-17 standards, all those properties can be measured by impedance tubes, and the material for measure should be cut to several samples which match the inner diameter of the tube. Cutting material is important because the precision of the acoustic properties quantitative measurement will be affected if the diameter of multiple samples is inconsistent, or mismatch to the impedance tube.

**SC002**、**SC006** and **SC200** sample cutter is new developed by BSWA to helping the user of SW series impedance tube to obtain the standard samples conveniently when testing.

Where the **SC002** is a 100 mm circular cutter and sample holder, **SC006** is a 29 mm circular cutter and sample holder, and **SC200** includes the above two kinds of cutters and sample holders with bench drill, sample lifting table and shipping case.

### Specifications

Type	SC200		
Cutter Type	SC002	SC006	
Diameter	100 mm	29 mm	
Frequency Range	50 Hz ~ 1.6 kHz	500Hz ~ 6.4 kHz	
Power Supply	100-240 VAC 50-60 Hz		
Operating Environment	Temperature: -10 °C ~ 50 °C, Humidity: 5 % ~ 95 %RH (non-condensing)		
Dimension (mm)	W400 * H700* D205		
Weight <sup>1</sup>	SC200: 16 kg	SC002: 2.9 kg	SC006: 2 kg

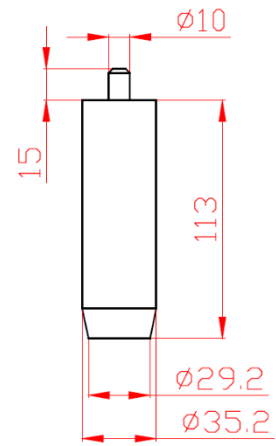
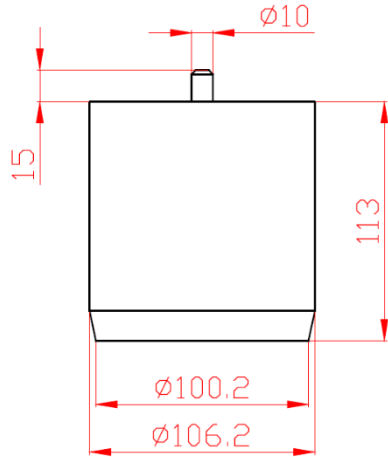
Note1: The weight of SC002 and SC006 included the circular cutter, sample plug and sample holder only. The weight of SC200 included the two type of circular cutters and sample plugs, sample holder, bench drill and scissor lift table.

### Kit Including

SC002	100 circular cutter, 100 sample plug, sample holder
SC006	29 circular cutter, 29 sample plug, sample holder
SC200	100 circular cutter, 29 circular cutter, 100 sample plug, 29 sample plug, sample holder, bench drill and scissor lift table



## Drawings with Dimensions



## Components



100 circular cutter



100 sample plug



29 circular cutter



29 sample plug

